



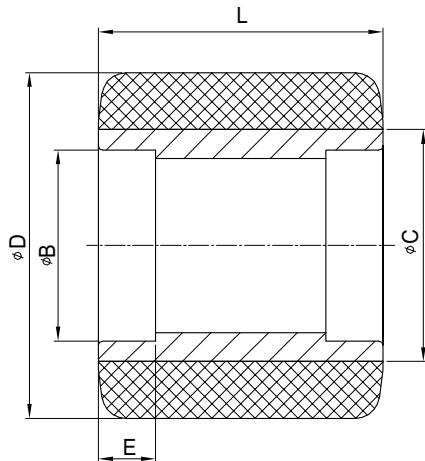
# RULLI E RUOTE

## ROLLERS AND WHEELS

RULLI DI CARICO .....	436
<i>LOAD ROLLERS</i>	
RUOTE DI CARICO.....	438
<i>LOAD WHEELS</i>	
RUOTE DI TRAZIONE .....	440
<i>DRIVE WHEELS</i>	
ANELLI DA CALETTARE.....	441
<i>PRESS-ON TYRES</i>	

# RULLI DI CARICO LOAD ROLLERS

## SENZA CUSCINETTI WITHOUT BEARINGS



Adattabile / Application

	D	L	C	B	E
29315	70	70	57	47	14
29300	80	70	57	47	14
29358	80	75	57	47	14
29320	80	80	57	47	14
29301	80	90	57	47	14
29299	82	60	57	47	14
29302	82	70	57	47	14
29359	82	78	60	47	14
29303	82	85	57	47	14
29304	82	90	57	47	14
29305	85	40	57	47	14
29306	85	70	57	47	14
29306A	85	75	57	47	14
29307	85	80	57	47	14
29308	85	90	57	47	14
29309	85	100	57	47	14
29360	120	50	60	52	15

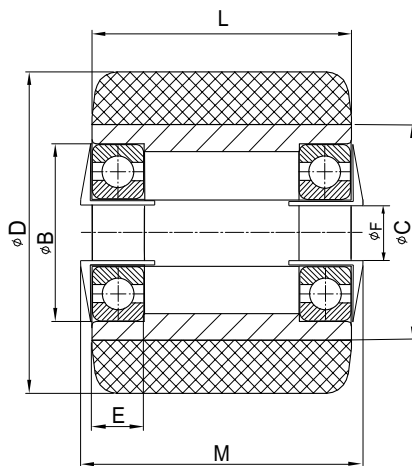
HYSTER OMG

OM OMG  
BT LUGLI

**29300C** Cuscinetto a sfere / *Ball bearing.*  
Ø 47/20 x 14



## CON CUSCINETTI WITH BEARINGS



	D	L	M	C	B	F	E
<b>29361</b>	80	74	76	63,5	55	13	-
<b>29362</b>	80	95	113	60	55	20	-
<b>29322</b>	82	60	60	57	47	20	14
<b>29363</b>	82	100	104	60	47	20	14
<b>29364</b>	85	80	82	57	47	17,2	-
<b>29365</b>	85	85	90	-	55	25	-
<b>29365S</b>	85	85	90	-	55	25	-
<b>29354</b>	85	95	97	63,5	55	25	-
<b>29366</b>	85	100	102	57	-	25	-
<b>29355</b>	85	100	105	63,5	55	25	-
<b>29367</b>	85	100	105	57	47	20,6	-
<b>29356</b>	85	105	110	63,5	55	13	-
<b>29310</b>	85	110	114	60	55	25	22
<b>29317</b>	85	110	114	63	55	25	22
<b>29330</b>	95	50	42	70	47	17	14
<b>29374</b>	100	40	40	75	52	25	15

Adattabile / Application

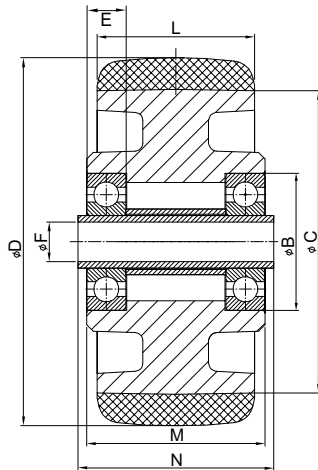
BT  
BT  
STILL  
JH  
STILL  
JH (doppio / *twin*)  
JH (singolo / *single*)  
BT  
STILL  
JH  
ORMIC HYSTER  
LINDE  
JH  
JH  
OM

Contattateci per altre misure di ruote e rulli.

Call us for more sizes of wheels and rollers.

# RUOTE DI CARICO LOAD WHEELS

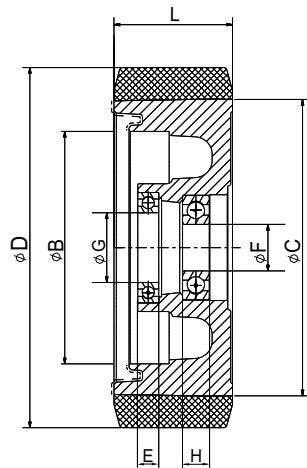
## CON CUSCINETTI SIMMETRICI WITH SYMMETRIC BEARINGS



### Adattabile / Application

	D	L	M	N	C	B	F	E	Adattabile / Application
29324	100	40	40	40	77	35	15	12	JH LINDE STILL STEINBOCK OMG CAT
29326	100	40	40	40	80	35	15	-	LINDE OMG STILL
29339	100	40	40	40	78	47	20	14	YALE OMG
29329	123	60	60	65	80	52	12,5	15	KOMATSU OM
29368	125	40	45	45	105	35	15	-	STILL
29328	125	40	50	47,5	105	47	20	14	BT
29386	125	50	50	50	85	47	20	14	ICEM
29337	125	50	50	55	105	47	20	12	BT HUBTEX
29325	125	50	50	54	95	47	20	12	BT
29338	125	54	60	60	100	47	20	14	JH
29336	125	60	60	62	93	47	20	12	LINDE
29349	140	54	60	60	100	47	20	14	JH LINDE STEINBOCK STILL
29327	140	60	62	66	115	55	12	-	LINDE KOMATSU OM STILL
29312	140	60	68	75	115	52	15	15	BT
29369	150	40	38	38	133	47	40	14	OMG
29311	150	50	-	20	100	52	39	15	OMG
29370	150	50	60	60	125	52	20	14	OMG
29343	150	50	50	50	115	52	20	14	BT
29371	150	50	60	65	115	54	12	-	LINDE
29372	150	55	60	60	100	47	20	14	JH
29314	150	55	60	60	122	47	20	14	JH
29345	153	76	80	86	130	62	25,6	16	BT
29373	180	50	60	60	140	52	25	-	JH
29350	180	65	75	75	140	52	25	15	JH LINDE MIC STEINBOCK
29392	285	100	70	-	250	68	40	42	JH

**CON CUSCINETTI ASIMMETRICI  
WITH ASYMMETRIC BEARINGS**



**29341**  
**29346**

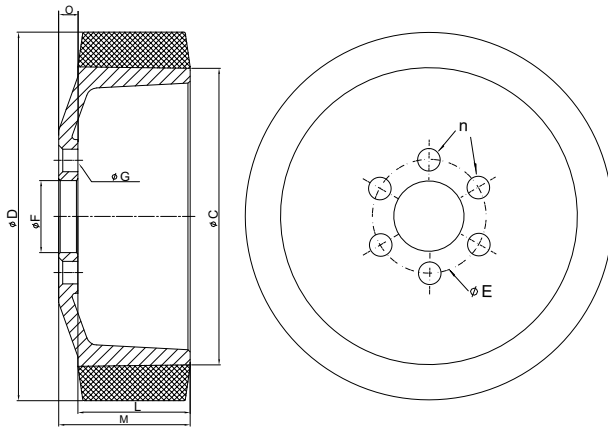
D	L	C	B	G	F	E	H
310	102	255	200	55	40	21	18
310	102	255	200	60	40	18	23

*Adattabile / Application*  
STILL OM  
LINDE STILL

**Contattateci per altre misure di ruote e rulli.**

***Call us for more sizes of wheels and rollers.***

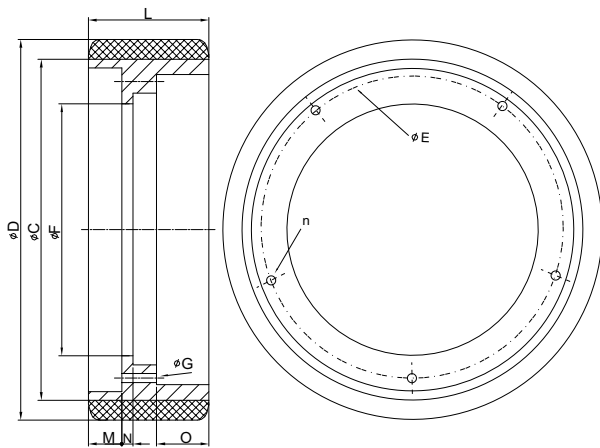
# RUOTE DI TRAZIONE DRIVE WHEELS



	D	L	M	O	C	F	ØG	n	ØE	Adattabile / Application
29377	200	85	85	20	166	50	10	4	72	JH
29318	215	79	89	10	159	60	11	5	92	BT
29335	230	70	82	12	185	45	14	5	70	JH STEINBOCK OM
29347	230	70	82	12	185	45	14	5	70	JH
29331	230	75	66,5	12	190	80	14	6	112	KOMATSU LIFTER ORMIC OM YALE
29334	230	82	82	12	187	45	14	5	70	JH MIC STEINBOCK
29378	245	88	88	13	213	93	13	4	127	ICEM
29379	245	100	100	15	185	30	10	6	112	OMG
29380	250	80	75	13,5	200	80	15	5	112	OM
29381	250	80	80	14	200	80	18	5	111	JH
29333	254	100	89	14	210	80	18,5	5	112	OM
29393	310	100	79	17	200	80	18,5	5	112	JH
29385	330	135	116	13	250	80	15,5	7	112	OM
29382	343	114	106,75	11,7	273	80	18,5	7	112	DOOSAN HUBTEX STEINBOCK HYSTER JH MIC YALE
29353	343	114	107,5	12,5	273	80	15,5	7	112	OMG
29332	343	114	110,5	12,5	273	90	18,5	7	125	JH
29383	343	140	116	12	273	80	18,5	7	112	CROWN JH DOOSAN HUBTEX HYSTER MIC STEINBOCK YALE
29384	350	127,5	112,5	15	290	80	16	7	112	BT

Contattateci per altre misure di ruote e rulli.

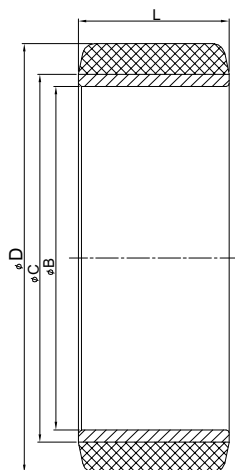
Call us for more sizes of wheels and rollers.



	D	L	M	N	O	C	F	$\varnothing G$	n	$\varnothing E$
29348	240	76	21	7	33	215	159	5	8	187
29352	240	101	36,6	12	42,4	217	154	6	9	192
29376	250	76	21	7	50	215	160	5	8	187

Adattabile / Application  
OMG  
OMG

## ANELLI DA CALETTARE PRESS-ON TYRES



	D	L	C	B
29357	285	100	244,5	228
29375	310	120	241	220

Adattabile / Application  
LINDE  
OM

